

Fact Sheet

FSL-ECO S

BIZERBA
BUSCH

Filling system FSL-ECO S is the optimal entry level model for small companies who want to fill high-quality, uncritical and non-flammable liquids. With automatic filling as accurate as 1 gram this practical system lets you save time and money.



More information
High performance
with a wide range of
solutions and options.

Specifications	Facts	Details
Terminal	iS30	Storing of up to 9 dosing parameters
EC type-approval	DE-15-MI006-PTB003	
Valve	Above-surface valve	<p>A = with nozzle DN25, L=300 mm, product connection G 1 ¼", used for canisters, drums</p> <p>B = with nozzle DN40, L=300 mm, product connection G 1 ¼", used for drums, containers</p> <p>D = without nozzle DN25, product connection G 1 ¼", used for pails</p> <p>E = without nozzle DN50, product connection G 2", used for pails, containers</p> <p>F = project valve</p>
Valve material	1.4404/1.4571	
Seal	PTFE	
Operating unit	Hood: Anod.alum.	
Load receptors	<p>Platform scale</p> <p>Pallet scale</p>	<p>single range: 15kg, e=5 g 30kg, e=10 g 150kg, e=50g 300kg, e=100g 600kg, e=200g 1500kg, e=500g</p> <p>dual range: 15/30kg, e=5/10g 60/150kg, e=20/50g 150/300kg, e=50/100g 600/1500kg, e=200/500g</p> <p>dual interval: 6/12kg, e=2/5g 15/30kg, e=5/10g 150/300kg, e=50/100g</p> <p>single range: 600 kg, e=200g 1.500 kg, e=500g</p>
Filling process	Above-surface	
Container	Canister Pail Drum IBC container	
Dosing	2-stage	coarse and fine
Frame	Stainless steel	1.4301

Options	Facts	Details
Aspiration hood		Aspiration hood with removable viewing window and hose connection
Quick change filling valve	Above-surface valve	A = with nozzle DN25, L=300 mm, product connection G 1 ¼", used for canisters, drums, B = with nozzle DN40, L=300 mm, product connection G 1 ¼", used for drums, containers D = without nozzle DN25, product connection G 1 ¼", used for pails E = without nozzle DN50, product connection G 2", used for pails, containers F = project valve
	Below-bunghole valve	A = with nozzle DN25, L=300 mm, product connection G 1 ¼", used for canisters, drums, B = with nozzle DN40, L=300 mm, product connection G 1 ¼", used for drums, containers F = project valve
Hand lever below-bunghole	for below-bunghole filling	manually operated hand lever for the position filling valve in below-bunghole process
Valve rack	simple valve rack	non-corrosive valve rack for 3 shuttle valves with a max. nozzle length of 1.200 mm
	with cleaning	non-corrosive valve rack for 3 shuttle valves with a max. nozzle length of 1,200 mm with laterally installed cleaning funnel for a shuttle valve with a nozzle length of 1,200 mm
Valve cleaning manual lever	Cleaning of valves outside the system	manual operating unit to open the shuttle valve for cleaning
Grounding clamp	without monitoring	
Closing system Lid roll-in station		standalone station with motor conveyor pail
Closing system Lid press	pneumatic	standalone station with pneumatic press pail
Closing system Screwing	with screwcap tool	canister drum
Conveyors	non-powered	before, on top of and after the load receptor
Product hose suspension		Pivotable galleys made of stainless steel with guide rail and rollers. Strain relief with connecting bracket attached to guide rollers
Container balancer		Canister and pail

Mobile chassis

frame with castors

canister and pail

Infographic



FSL-ECO S canister



FSL-ECO S drum



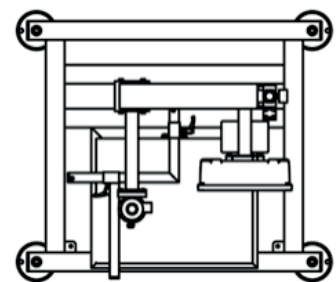
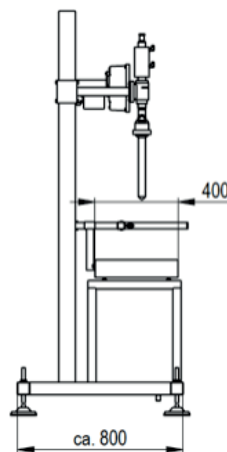
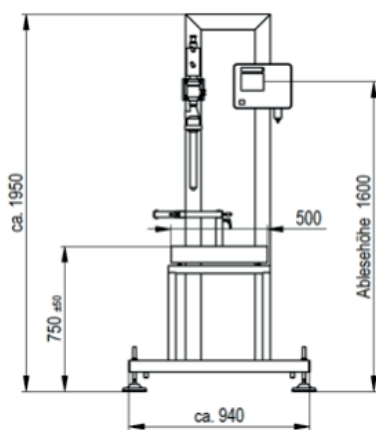
FSL-ECO S IBC

Symbols

Time saving

Protection
Class IP65STAINLESS
STEEL

Scale

Dimensions

Bizerba Busch AG

Ceres
7203 Trimmis
Switzerland

T +41 81 307 80 80
F +41 81 307 80 81

www.bizerbabusch.ch